

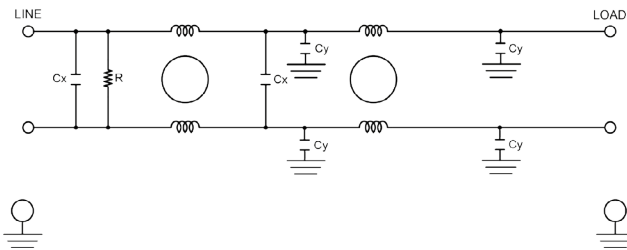
RP240

HIGH PERFORMANCE DUAL STAGE POWER LINE FILTER

FEATURES

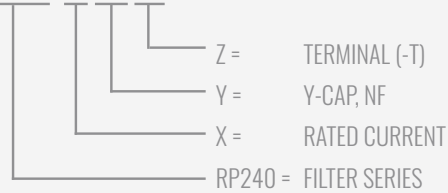
- » Rated currents include **6A, 12A, 16A, 25A, 36A, 50A, 80A, 100A, and 150A**
- » Dual Stage Line Filter
- » Available with **QD** tabs, **W** (wire), **S** (studs) and **C** (connectors) option
- » High Performance
- » Agency Approved to UL1283 / 60929, CSA C22.2, EN 60939
- » Y-cap value can be adjusted to fit specification

ELECTRICAL SCHEMATIC



HOW TO ORDER

RP240-X-Y-Z



NOTE: USE ANY COMBINATION OF -X (AMPS) WITH ANY -Y RATINGS

E.G. **RP240-6-2.2-QD** (6AMPS WITH 2.2 NF YCAP)

For **X**, **Y** and **Z** options see product specification table.



SPECIFICATIONS

OPERATING FREQUENCY	50/60Hz
USABLE FREQUENCY	DC - 400 Hz
MAX. OPERATING VOLTAGE*	250V +10%
AMBIENT TEMPERATURE	-25 TO 40°C
CLIMATIC CATEGORY	25/100/21
TERMINALS (-T)	QD: 0.25 TABS(6-16A) WIRE LEADS STUDS 25-50A (M5), 80A(M6), 100-150A (M10) CONNECTORS
TYP. WEIGHT, LBS (KG)	0.1 (0.05)

TYPICAL LEAKAGE CURRENT

@ 250 VAC 50 Hz	0 - 36.0 mA Max.
@ 120 VAC 60 Hz	0 - 18.0 mA Max.

HIPOT RATINGS

LINE TO GROUND	2700 VDC
----------------	----------

TYPICAL APPLICATIONS

- ✓ Automation Equipment
- ✓ Medical Devices
- ✓ Office Electronics
- ✓ Electronic Devices
- ✓ Noisy Applications
- ✓ Industrial Machinery

Get technical support and assistance from our specialist team:

smartwave@apctech.com | 0330 313 3220

RP240

HIGH PERFORMANCE DUAL STAGE POWER LINE FILTER

MODEL NO.	RATED CURRENT, A @ 40° C	Y-CAP, nF	LEAKAGE CURRENT, mA @ 250V AC, 50 Hz / @ 120V AC, 60 Hz		TERMINAL OPTIONS				MAX. DIMENSIONS" (MM)		
					(QD) IN/ OUTPUT	(W) IN/ OUTPUT	(S) IN/ OUTPUT	(C) IN/ OUTPUT	WIDTH	(LENGTH)	HEIGHT
RP240-6-0-QD	6	0	-	-	✓				2.28"(58)	4.61"(117)	1.81"(46)
RP240-6-0-W	6	0	-	-		✓			*	*	*
RP240-6-2.2-QD	6	2.2	0.80	0.40	✓				2.28"(58)	4.61"(117)	1.81"(46)
RP240-6-2.2-W	6	2.2	0.80	0.40		✓			*	*	*
RP240-6-4.7-QD	6	4.7	1.60	0.80	✓				2.28"(58)	4.61"(117)	1.81"(46)
RP240-6-4.7-W	6	4.7	1.60	0.80		✓			*	*	*
RP240-6-10-QD	6	10	3.60	1.80	✓				2.28"(58)	4.61"(117)	1.81"(46)
RP240-6-10-W	6	10	3.60	1.80		✓			*	*	*
RP240-6-22-QD	6	22	8.00	4.00	✓				2.28"(58)	4.61"(117)	1.81"(46)
RP240-6-22-W	6	22	8.00	4.00		✓			*	*	*
RP240-6-100-QD	6	100	36.00	18.00	✓				2.28"(58)	4.61"(117)	1.81"(46)
RP240-6-100-W	6	100	36.00	18.00		✓			*	*	*
RP240-12-0-QD	12	0	-	-	✓				2.24"(57)	6.06"(154)	2.11"(53.6)
RP240-12-0-S	12	0	-	-			✓		2.24"(57)	6.93"(176)	2.11"(53.6)
RP240-12-2.2-QD	12	2.2	0.80	0.40	✓				2.24"(57)	6.06"(154)	2.11"(53.6)
RP240-12-2.2-S	12	2.2	0.80	0.40			✓		2.24"(57)	6.93"(176)	2.11"(53.6)
RP240-12-4.7-QD	12	4.7	1.60	0.80	✓				2.24"(57)	6.06"(154)	2.11"(53.6)
RP240-12-4.7-S	12	4.7	1.60	0.80			✓		2.24"(57)	6.93"(176)	2.11"(53.6)
RP240-12-10-QD	12	10	3.60	1.80	✓				2.24"(57)	6.06"(154)	2.11"(53.6)
RP240-12-10-S	12	10	3.60	1.80			✓		2.24"(57)	6.93"(176)	2.11"(53.6)
RP240-12-22-QD	12	22	8.00	4.00	✓				2.24"(57)	6.06"(154)	2.11"(53.6)
RP240-12-22-S	12	22	8.00	4.00			✓		2.24"(57)	6.93"(176)	2.11"(53.6)
RP240-12-100-QD	12	100	36.00	18.00	✓				2.24"(57)	6.06"(154)	2.11"(53.6)
RP240-12-100-S	12	100	36.00	18.00			✓		2.24"(57)	6.93"(176)	2.11"(53.6)
RP240-16-0-QD	16	0	-	-	✓				2.24"(57)	6.06"(154)	2.11"(53.6)
RP240-16-0-S	16	0	-	-			✓		2.24"(57)	6.93"(176)	2.11"(53.6)
RP240-16-2.2-QD	16	2.2	0.80	0.40	✓				2.24"(57)	6.06"(154)	2.11"(53.6)
RP240-16-2.2-S	16	2.2	0.80	0.40			✓		2.24"(57)	6.93"(176)	2.11"(53.6)
RP240-16-4.7-QD	16	4.7	1.60	0.80	✓				2.24"(57)	6.06"(154)	2.11"(53.6)
RP240-16-4.7-S	16	4.7	1.60	0.80			✓		2.24"(57)	6.93"(176)	2.11"(53.6)
RP240-16-10-QD	16	10	3.60	1.80	✓				2.24"(57)	6.06"(154)	2.11"(53.6)
RP240-16-10-S	16	10	3.60	1.80			✓		2.24"(57)	6.93"(176)	2.11"(53.6)
RP240-16-22-QD	16	22	8.00	4.00	✓				2.24"(57)	6.06"(154)	2.11"(53.6)
RP240-16-22-S	16	22	8.00	4.00			✓		2.24"(57)	6.93"(176)	2.11"(53.6)

Get technical support and assistance from our specialist team:

smartwave@apctech.com | 0330 313 3220

APC Technology Group

6 Stirling Park, Laker Road, Rochester, Kent ME1 3QR
+44 (0)330 313 3220 | info@apctech.com | www.apctech.com

RP240

HIGH PERFORMANCE DUAL STAGE POWER LINE FILTER

MODEL NO.	RATED CURRENT, A @ 40° C	Y-CAP, nF	LEAKAGE CURRENT, mA @ 250V AC, 50 Hz / @ 120V AC, 60 Hz		TERMINAL OPTIONS				MAX. DIMENSIONS" (MM)		
					(QD) IN/ OUTPUT	(W) IN/ OUTPUT	(S) IN/ OUTPUT	(C) IN/ OUTPUT	WIDTH	(LENGTH)	HEIGHT
RP240-16-100-QD	16	100	36.00	18.00	✓				2.24"(57)	6.06"(154)	2.11"(53.6)
RP240-16-100-S	16	100	36.00	18.00			✓		2.24"(57)	6.93"(176)	2.11"(53.6)
RP240-25-0-C	25	0	-	-				✓	*	*	*
RP240-25-0-S	25	0	-	-			✓		5.23"(132.9)	7.36"(186.8)	2.50"(63.5)
RP240-25-0-W	25	0	-	-	✓				*	*	*
RP240-25-2.2-C	25	2.2	0.80	0.40				✓	*	*	*
RP240-25-2.2-S	25	2.2	0.80	0.40			✓		5.23"(132.9)	7.36"(186.8)	2.50"(63.5)
RP240-25-2.2-W	25	2.2	0.80	0.40	✓				*	*	*
RP240-25-4.7-C	25	4.7	1.60	0.80				✓	*	*	*
RP240-25-4.7-S	25	4.7	1.60	0.80			✓		5.23"(132.9)	7.36"(186.8)	2.50"(63.5)
RP240-25-4.7-W	25	4.7	1.60	0.80	✓				*	*	*
RP240-25-10-C	25	10	3.60	1.80				✓	*	*	*
RP240-25-10-S	25	10	3.60	1.80			✓		5.23"(132.9)	7.36"(186.8)	2.50"(63.5)
RP240-25-10-W	25	10	3.60	1.80	✓				*	*	*
RP240-25-22-C	25	22	8.00	4.00				✓	*	*	*
RP240-25-22-S	25	22	8.00	4.00			✓		5.23"(132.9)	7.36"(186.8)	2.50"(63.5)
RP240-25-22-W	25	22	8.00	4.00	✓				*	*	*
RP240-25-100-C	25	100	36.00	18.00				✓	*	*	*
RP240-25-100-S	25	100	36.00	18.00			✓		5.23"(132.9)	7.36"(186.8)	2.50"(63.5)
RP240-25-100-W	25	100	36.00	18.00	✓				*	*	*
RP240-36-0-C	36	0	-	-				✓	*	*	*
RP240-36-0-S	36	0	-	-			✓		5.23"(132.9)	7.36"(186.8)	2.50"(63.5)
RP240-36-0-W	36	0	-	-	✓				*	*	*
RP240-36-2.2-C	36	2.2	0.80	0.40				✓	*	*	*
RP240-36-2.2-S	36	2.2	0.80	0.40			✓		5.23"(132.9)	7.36"(186.8)	2.50"(63.5)
RP240-36-2.2-W	36	2.2	0.80	0.40	✓				*	*	*
RP240-36-4.7-C	36	4.7	1.60	0.80				✓	*	*	*
RP240-36-4.7-S	36	4.7	1.60	0.80			✓		5.23"(132.9)	7.36"(186.8)	2.50"(63.5)
RP240-36-4.7-W	36	4.7	1.60	0.80	✓				*	*	*
RP240-36-10-C	36	10	3.60	1.80				✓	*	*	*
RP240-36-10-S	36	10	3.60	1.80			✓		5.23"(132.9)	7.36"(186.8)	2.50"(63.5)
RP240-36-10-W	36	10	3.60	1.80	✓				*	*	*
RP240-36-22-C	36	22	8.00	4.00				✓	*	*	*
RP240-36-22-S	36	22	8.00	4.00			✓		5.23"(132.9)	7.36"(186.8)	2.50"(63.5)

Get technical support and assistance from our specialist team:

smartwave@apctech.com | 0330 313 3220

APC Technology Group

6 Stirling Park, Laker Road, Rochester, Kent ME1 3QR
+44 (0)330 313 3220 | info@apctech.com | www.apctech.com

RP240

HIGH PERFORMANCE DUAL STAGE POWER LINE FILTER

MODEL NO.	RATED CURRENT, A @ 40° C	Y-CAP, nF	LEAKAGE CURRENT, mA @ 250V AC, 50 Hz / @ 120V AC, 60 Hz		TERMINAL OPTIONS				MAX. DIMENSIONS" (MM)		
					(QD) IN/ OUTPUT	(W) IN/ OUTPUT	(S) IN/ OUTPUT	(C) IN/ OUTPUT	WIDTH	(LENGTH)	HEIGHT
RP240-36-22-W	36	22	8.00	4.00		✓			*	*	*
RP240-36-100-C	36	100	36.00	18.00				✓	*	*	*
RP240-36-100-S	36	100	36.00	18.00			✓		5.23"(132.9)	7.36"(186.8)	2.50"(63.5)
RP240-36-100-W	36	100	36.00	18.00		✓			*	*	*
RP240-50-0-C	50	0	-	-				✓	*	*	*
RP240-50-0-S	50	0	-	-			✓		5.23"(132.9)	7.36"(186.8)	2.50"(63.5)
RP240-50-0-W	50	0	-	-		✓			*	*	*
RP240-50-2.2-C	50	2.2	0.80	0.40				✓	*	*	*
RP240-50-2.2-S	50	2.2	0.80	0.40			✓		5.23"(132.9)	7.36"(186.8)	2.50"(63.5)
RP240-50-2.2-W	50	2.2	0.80	0.40		✓			*	*	*
RP240-50-4.7-C	50	4.7	1.60	0.80				✓	*	*	*
RP240-50-4.7-S	50	4.7	1.60	0.80			✓		5.23"(132.9)	7.36"(186.8)	2.50"(63.5)
RP240-50-4.7-W	50	4.7	1.60	0.80		✓			*	*	*
RP240-50-10-C	50	10	3.60	1.80				✓	*	*	*
RP240-50-10-S	50	10	3.60	1.80			✓		5.23"(132.9)	7.36"(186.8)	2.50"(63.5)
RP240-50-10-W	50	10	3.60	1.80		✓			*	*	*
RP240-50-22-C	50	22	8.00	4.00				✓	*	*	*
RP240-50-22-S	50	22	8.00	4.00			✓		5.23"(132.9)	7.36"(186.8)	2.50"(63.5)
RP240-50-22-W	50	22	8.00	4.00		✓			*	*	*
RP240-50-100-C	50	100	36.00	18.00				✓	*	*	*
RP240-50-100-S	50	100	36.00	18.00			✓		5.23"(132.9)	7.36"(186.8)	2.50"(63.5)
RP240-50-100-W	50	100	36.00	18.00		✓			*	*	*
RP240-80-0-C	80	0	-	-				✓	5.48"(139)	7.87"(200)	2.50"(64)
RP240-80-0-S	80	0	-	-			✓		3.50"(88.9)	10.00"(254)	2.75"(69.9)
RP240-80-0-W	80	0	-	-		✓			*	*	*
RP240-80-2.2-C	80	2.2	0.80	0.40				✓	5.48"(139)	7.87"(200)	2.50"(64)
RP240-80-2.2-S	80	2.2	0.80	0.40			✓		3.50"(88.9)	10.00"(254)	2.75"(69.9)
RP240-80-2.2-W	80	2.2	0.80	0.40		✓			*	*	*
RP240-80-4.7-C	80	4.7	1.60	0.80				✓	5.48"(139)	7.87"(200)	2.50"(64)
RP240-80-4.7-S	80	4.7	1.60	0.80			✓		3.50"(88.9)	10.00"(254)	2.75"(69.9)
RP240-80-4.7-W	80	4.7	1.60	0.80		✓			*	*	*
RP240-80-10-C	80	10	3.60	1.80				✓	5.48"(139)	7.87"(200)	2.50"(64)
RP240-80-10-S	80	10	3.60	1.80			✓		3.50"(88.9)	10.00"(254)	2.75"(69.9)
RP240-80-10-W	80	10	3.60	1.80		✓			*	*	*

Get technical support and assistance from our specialist team:

smartwave@apctech.com | 0330 313 3220

APC Technology Group

6 Stirling Park, Laker Road, Rochester, Kent ME1 3QR
+44 (0)330 313 3220 | info@apctech.com | www.apctech.com

RP240

HIGH PERFORMANCE DUAL STAGE POWER LINE FILTER

MODEL NO.	RATED CURRENT, A @ 40° C	Y-CAP, nF	LEAKAGE CURRENT, mA @ 250V AC, 50 Hz / @ 120V AC, 60 Hz		TERMINAL OPTIONS				MAX. DIMENSIONS" (MM)		
					(QD)IN/ OUTPUT	(W) IN/ OUTPUT	(S) IN/ OUTPUT	(C) IN/ OUTPUT	WIDTH	(LENGTH)	HEIGHT
RP240-80-22-C	80	22	8.00	4.00				✓	5.48"(139)	7.87"(200)	2.50"(64)
RP240-80-22-S	80	22	8.00	4.00			✓		3.50"(88.9)	10.00"(254)	2.75"(69.9)
RP240-80-22-W	80	22	8.00	4.00		✓			*	*	*
RP240-80-100-C	80	100	36.00	18.00				✓	5.48"(139)	7.87"(200)	2.50"(64)
RP240-80-100-S	80	100	36.00	18.00			✓		3.50"(88.9)	10.00"(254)	2.75"(69.9)
RP240-80-100-W	80	100	36.00	18.00		✓			*	*	*
RP240-100-0-C	100	0	-	-				✓	5.48"(139)	7.87"(200)	2.50"(64)
RP240-100-0-S	100	0	-	-			✓		3.50"(88.9)	10.00"(254)	2.75"(69.9)
RP240-100-0-W	100	0	-	-		✓			*	*	*
RP240-100-2.2-C	100	2.2	0.80	0.40				✓	5.48"(139)	7.87"(200)	2.50"(64)
RP240-100-2.2-S	100	2.2	0.80	0.40			✓		3.50"(88.9)	10.00"(254)	2.75"(69.9)
RP240-100-2.2-W	100	2.2	0.80	0.40		✓			*	*	*
RP240-100-4.7-C	100	4.7	1.60	0.80				✓	5.48"(139)	7.87"(200)	2.50"(64)
RP240-100-4.7-S	100	4.7	1.60	0.80			✓		3.50"(88.9)	10.00"(254)	2.75"(69.9)
RP240-100-4.7-W	100	4.7	1.60	0.80		✓			*	*	*
RP240-100-10-C	100	10	3.60	1.80				✓	5.48"(139)	7.87"(200)	2.50"(64)
RP240-100-10-S	100	10	3.60	1.80			✓		3.50"(88.9)	10.00"(254)	2.75"(69.9)
RP240-100-10-W	100	10	3.60	1.80		✓			*	*	*
RP240-100-22-C	100	22	8.00	4.00				✓	5.48"(139)	7.87"(200)	2.50"(64)
RP240-100-22-S	100	22	8.00	4.00			✓		3.50"(88.9)	10.00"(254)	2.75"(69.9)
RP240-100-22-W	100	22	8.00	4.00		✓			*	*	*
RP240-100-100-C	100	100	36.00	18.00				✓	5.48"(139)	7.87"(200)	2.50"(64)
RP240-100-100-S	100	100	36.00	18.00			✓		3.50"(88.9)	10.00"(254)	2.75"(69.9)
RP240-100-100-W	100	100	36.00	18.00		✓			*	*	*
RP240-150-0-C	150	0	-	-				✓	*	*	*
RP240-150-0-S	150	0	-	-			✓		4.00"(101.6)	12.99"(330)	3.25"(82.6)
RP240-150-0-W	150	0	-	-		✓			*	*	*
RP240-150-2.2-C	150	2.2	0.80	0.40				✓	*	*	*
RP240-150-2.2-S	150	2.2	0.80	0.40			✓		4.00"(101.6)	12.99"(330)	3.25"(82.6)
RP240-150-2.2-W	150	2.2	0.80	0.40		✓			*	*	*
RP240-150-4.7-C	150	4.7	1.60	0.80				✓	*	*	*
RP240-150-4.7-S	150	4.7	1.60	0.80			✓		4.00"(101.6)	12.99"(330)	3.25"(82.6)
RP240-150-4.7-W	150	4.7	1.60	0.80		✓			*	*	*
RP240-150-10-C	150	10	3.60	1.80				✓	*	*	*

Get technical support and assistance from our specialist team:

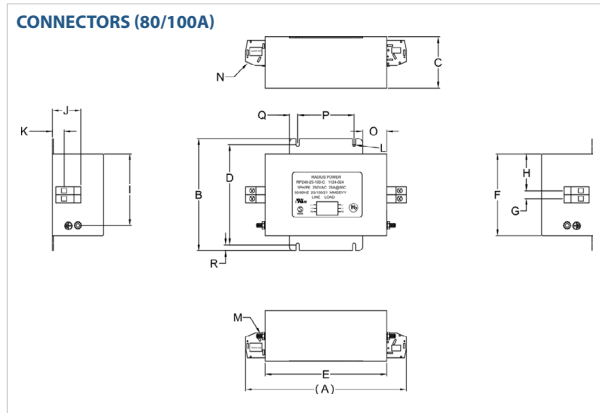
smartwave@apctech.com | 0330 313 3220

APC Technology Group

6 Stirling Park, Laker Road, Rochester, Kent ME1 3QR
+44 (0)330 313 3220 | info@apctech.com | www.apctech.com

RP240

HIGH PERFORMANCE DUAL STAGE POWER LINE FILTER



SERIES	(A)	B	C	D	E	F	G	H	I	J	K	L	M	N	O	P	Q	R
QD TABS (6A)	4.61" (117)	2.28" (58)	1.81" (46)	4.09" (104)	4.53" (115)	2.24" (57)	0.98" (25)	0.63" (16)	1.57" (40)	1.28" (32.5)	0.47" (12)	∅ 6.4x5.3, 2x	0.25", 5x QD, MALE, 6.35, 5x	N/A	N/A	N/A	N/A	N/A
QD TABS (12/16A)	6.06" (154)	2.24" (57)	2.11" (53.6)	5.63" (143)	5.99" (152.1)	2.24" (57)	1.14" (29)	0.47" (12)	1.61" (41)	1.26" (32)	0.47" (12)	∅ 6.4x5.3, 2x	0.25", 5x QD, MALE, 6.35, 5x	N/A	N/A	N/A	N/A	N/A
STUDS (12/16A)	6.93" (176)	2.24" (57)	2.11" (53.6)	5.63" (143)	5.99" (152.1)	2.24" (57)	1.14" (29)	0.53" (13.5)	1.67" (42.5)	1.38" (35)	0.59" (15)	∅ 6.4x5.3, 2x	STUD, M5, 4x	STUD, GND, M5	N/A	N/A	N/A	N/A
STUDS (25/36/50A)	7.36" (186.8)	5.23" (132.9)	2.50" (63.5)	2.76" (70)	5.94" (150.9)	4.00" (101.6)	2.00" (50.8)	1.00" (25.4)	3.50" (88.9)	2.00" (50.8)	0.65" (16.5)	R2.0, 4X	STUD, M5, 4x	STUD, GND, M5, 2x	1.18" (30)	4.90" (124.5)	0.41" (10.4)	0.29" (7.4)
STUDS (80/100A)	10.00" (254)	3.50" (88.9)	2.75" (69.9)	9.00" (228.6)	9.97" (253.2)	3.50" (88.9)	1.90" (48.3)	0.80" (20.3)	1.75" (44.5)	2.05" (52.1)	0.75" (19.1)	∅ 7.6x6.4, 4x	STUD, M6, 4x	STUD, GND, M6	0.80" (20.3)	2.50" (63.5)	0.50" (12.7)	N/A
CONNECT. (80/100A)	7.87" (200)	5.48" (139)	2.50" (64)	4.90" (125)	5.94" (151)	4.00" (102)	0.39" (10)	1.80" (46)	3.50" (89)	1.40" (36)	0.57" (15)	R2.0, 4X	STUD, GND, M5, 2x	DINKLE PPACN- 10AS, 4x	1.18" (30)	2.76" (70)	0.41" (10)	0.29" (7)
STUDS (150A)	12.99" (330)	4.00" (101.6)	3.25" (82.6)	11.00" (279.4)	12.00" (304.8)	4.00" (101.6)	2.00" (50.8)	0.96" (24.5)	2.00" (50.8)	2.25" (57.2)	0.96" (24.5)	∅ 7.6x6.4, 4x	STUD, M10, 4x	STUD, GND, M10	0.50" (12.7)	3.00" (76.2)	0.50" (12.7)	N/A

TYPICAL TOLERANCE: +/-0.02" (0.50MM)

Get technical support and assistance from our specialist team:

smartwave@apctech.com | 0330 313 3220

RP240

HIGH PERFORMANCE DUAL STAGE POWER LINE FILTER

TYPICAL INSERTION LOSS, dB (50/50 Ohm)

Amps	Freq (MHz)	0.15	0.5	1.0	10	30
6	CM (dB)	60	62	62	52	45
	DM (dB)	40	60	68	60	60
12	CM (dB)	60	62	62	50	40
	DM (dB)	40	60	68	60	60
16	CM (dB)	60	62	62	50	40
	DM (dB)	40	60	68	60	60
25	CM (dB)	24	46	50	60	69
	DM (dB)	25	40	60	65	65
36	CM (dB)	24	46	50	60	69
	DM (dB)	25	40	60	65	65
50	CM (dB)	42	50	55	65	60
	DM (dB)	60	69	65	65	65
80	CM (dB)	28	44	55	60	60
	DM (dB)	50	52	65	65	65
100	CM (dB)	28	44	55	60	60
	DM (dB)	50	52	65	65	65
150	CM (dB)	28	44	55	60	60
	DM (dB)	50	52	65	65	65

Get technical support and assistance from our specialist team:

smartwave@apctech.com | 0330 313 3220

APC Technology Group

6 Stirling Park, Laker Road, Rochester, Kent ME1 3QR
+44 (0)330 313 3220 | info@apctech.com | www.apctech.com