



221 Serie

Quick-Releasable Connector

221



... Easy use and communication
reliability in operation !

Catalog



◆ Description

The 221 connectors are designed for applications requiring quick-disconnection. Used on military and civil planes and helicopters, they provide all types of communication between on board equipments and external connections.

Customer specifications : STTE N°269PNI/1

Environmental specification : AIR 7304

Electrical specification : MIL-C-38999.

Quick-releasable

Watertight

Ergonomics

Aluminium

◆ Applications



Radios



Accessories



Intercoms



221

◆ Climatic and mechanical characteristics

	221 Serie
Unlocking system	Quick-releasable : Traction Force ($25N \leq F \leq 40N$)
Operating temperature	-45°C to + 125°C
Endurance	500 Operations
Sealing performance	IP68 (connected and disconnected)
Contacts protection	100% scoop-proof
Vibrations	55Hz at 2000Hz at 10g (6 hours)
Fluids resistance	Oils and hydrocarbons

◆ Electrical characteristics

	221 Serie
Working voltage	1800 V _{max} at 50Hz
Current rating per contact	7.5 A _{max}
Gauge (AWG)	20
Contact type	To be crimped
Contact resistance	≤ 10 mOhms à 25°C
Insulation resistance	≥ 5000 MOhms
Crosstalk on mated pairs	<110dB à 8Khz

◆ Material and plating

	Material	Plating
Connector shell	Aluminium	-
Insulator	PPS / Fluorosilicon	-
Contacts	Copper alloy	Gold over nickel
Backshell shell	Aluminium	Black chrome



◆ Weights

Part number	Weight (Max)
22110001	33 g
22111002	33 g
22111003	14 g
22111004	14 g
22111005	32 g
22111006	11 g
22111011	36 g
22111013	17 g

Standard material

◆ Dimensions (mated/unmated)

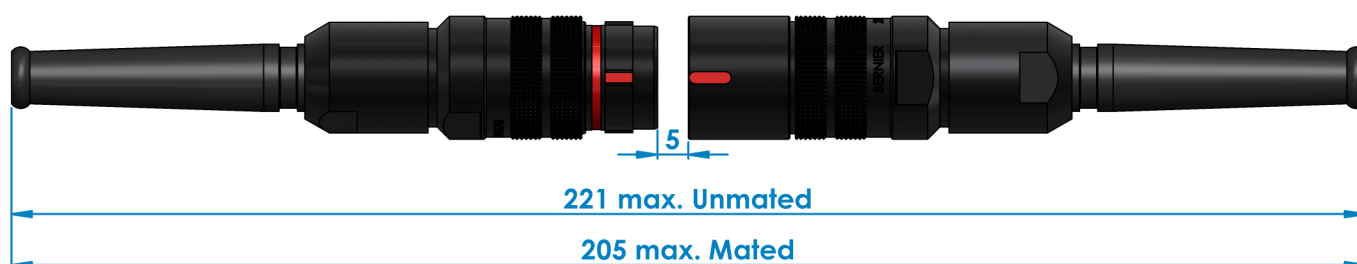
Receptacle without panel sealing / plug :



Receptacle with panel sealing / plug :



Extension / plug :



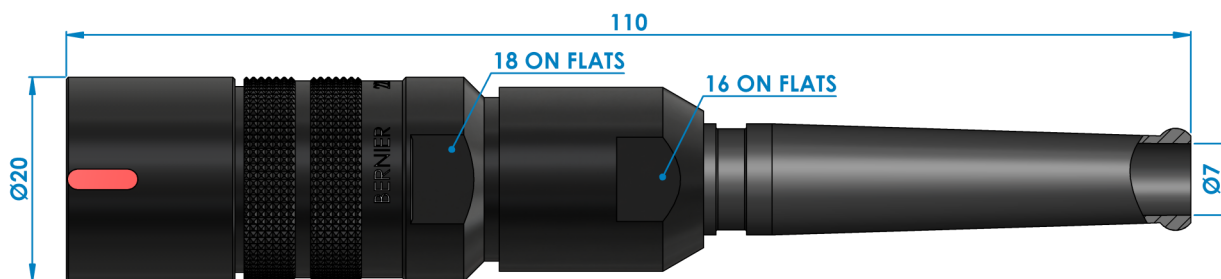
221

◆ **Plug with straight backshell (diam 7mm)**



Part number	Description
22111001	10 male contacts (AWG20)
22111011	10 female contacts (AWG20)

Ex: 22111001

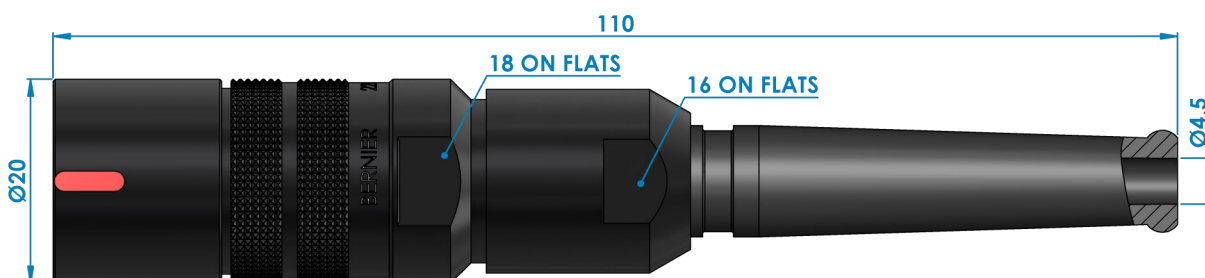


◆ **Plug with straight backshell (diam 4.5 mm)**



Part number	Description
22111001-45	10 male contacts (AWG20)
22111011-45	10 female contacts (AWG20)

Ex: 22111001-45

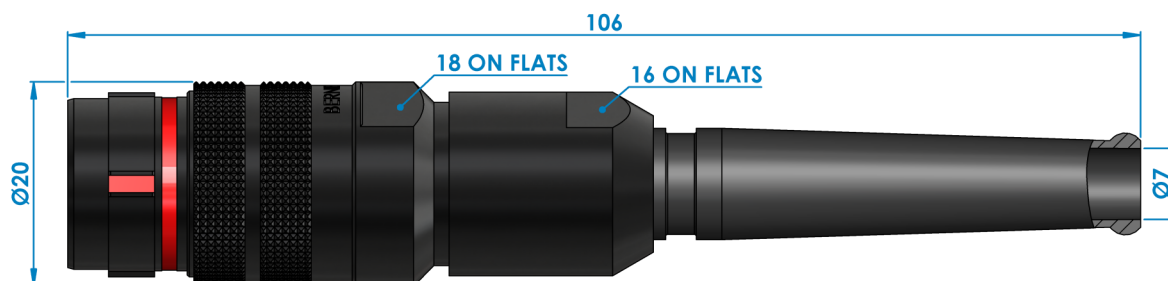


◆ Extension with straight backshell (diam 7mm)



Part number	Description
22111007	10 male contacts (AWG20)
22111005	10 female contacts (AWG20)

Ex: 22111005



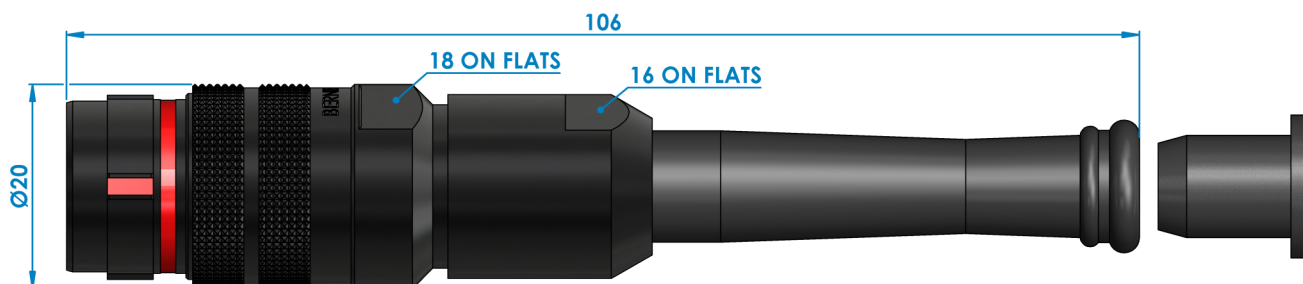
221

◆ Extension with straight backshell (diam 7mm) and panel fixing



Part number	Description
22111002	10 female contacts (AWG20)

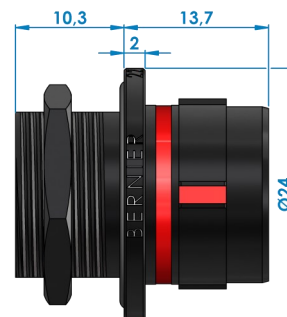
Ex: 22111002



◆ Receptacle with panel sealing



Part number	Description
22111013	10 male contacts (AWG20)
22111003	10 female contacts (AWG20)



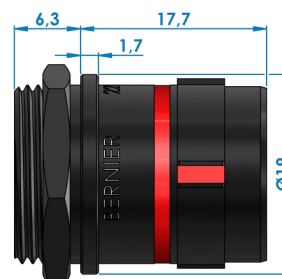
Ex: 22111003

221

◆ Receptacle with no panel sealing

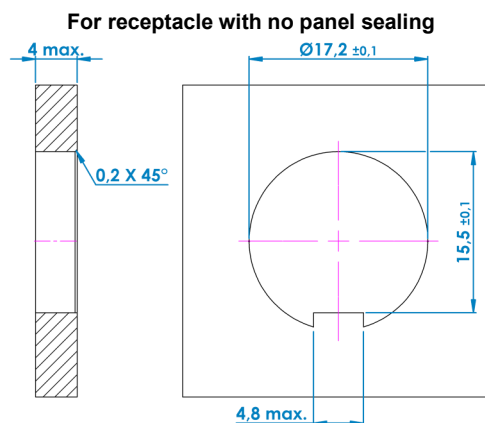
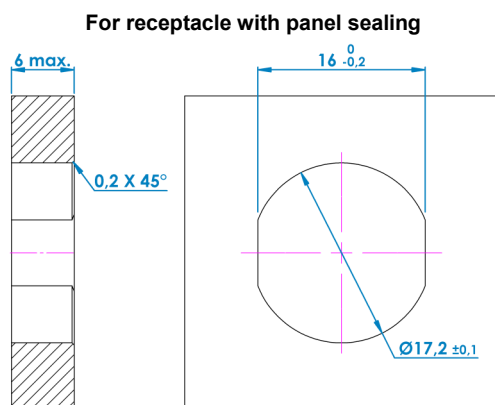


Part number	Description
22111004	10 female contacts (AWG20)



Ex: 22111004

◆ Panel cut



◆ Caps

Metallic cap for receptacle



22111006

Metallic cap for plug



22111008MC

Please contact us for other cap versions

221

◆ Terminations

Some terminations can accept several lanyards

Plastic clamp



Ferule



Metallic ring



Eyelet for M3 screw



Crimped eyelet for M3 screw



90° crimped eyelet for M3 screw



◆ Accessories

Type	Part number
Set of 10 male contacts + 5 shutters	11423
Set of 10 female contacts + 5 shutters	11424
Set of 8 long male contacts + 2 short male contacts + 5 shutters	11425



11423



11424



11425

◆ Tools

Type	Part number
Plastic insertion/extraction tool for male / female contact	M81969/14-02
Hand crimp tool	M22520/1-01
Turret head	M22520/1-04



M81969/14-02



M22520/1-01

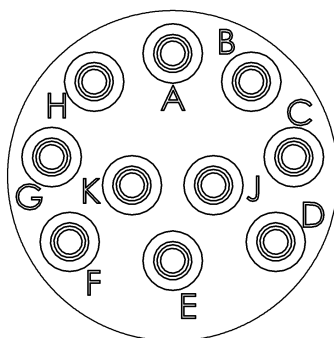


M22520/1-04

221

◆ Contacts positions

Mating side view



◆ Tightening torque

Material	Torque for receptacle nut	Torque for backshell
Alliage Aluminium	8 ⁺² N.m	9 N.m

CMA Serie
Push-Pull / Quick-Releaseable Connector

... For an optimum data transfer in harsh environments !

Catalog

Revised 23-JUNE-2016
www.bernier.tm.fr

CMASD Serie
Push-Pull Connector

... Toughness and reliable high speed data transfer in small dimensions !

Catalog

Revised 10-JUNE-2016
www.bernier.tm.fr

CMALD Serie
Push-Pull and Quick-Releaseable Connector

... Toughness and Ergonomics allied with a high contact density configuration !

Catalog

Revised 10-JUNE-2016
www.bernier.tm.fr

MMC Serie
Compact Quick-Releaseable Connector

... for a robust and ergonomic high-speed data connection !

Catalog

Revised 10-JUNE-2016
www.bernier.tm.fr

PAM Serie
Bayonet Connector

... the good connection for your tactical equipments !

Catalog

Revised 23-JUNE-2016
www.bernier.tm.fr

55116 Serie
Bayonet Connector

... The Crypto and Audio communication standard !

Catalog

Revised 23-JUNE-2016
www.bernier.tm.fr

221 Serie
Quick-Releaseable Connector

... Easy use and communication reliability in operation !

Catalog

Revised 23-JUNE-2016
www.bernier.tm.fr

POW Serie
Power Connector

Catalog

Revised 10-JUNE-2016
www.bernier.tm.fr

360L6 Serie
Avionic Connector

... the best connection for On Board communications !

Catalog

Revised 23-JUNE-2016
www.bernier.tm.fr

B600 Serie
Quick-Releaseable Connector

... Secure connection for light vehicles !

Catalog

Revised 23-JUNE-2016
www.bernier.tm.fr

JCC Serie
Jack Connector

... For a basic but secured connection on communication equipments !

Catalog

Revised 23-JUNE-2016
www.bernier.tm.fr

U Serie
Audio Connector

... The Toughest solution for audio applications !

Catalog

Revised 23-JUNE-2016
www.bernier.tm.fr

CCF700 Serie
Coaxial connector

... the suitable connector for cockpit equipments !

Catalog

Revised 23-JUNE-2016
www.bernier.tm.fr

MH Serie
Hexagonal Connector

... suitable for command signals !

Catalog

Revised 23-JUNE-2016
www.bernier.tm.fr

BERNIER Services
Solutions • Operations • Products

... Innovation and Technologies knowledge for your project solution !

Catalog

Revised 10-JUNE-2016
www.bernier.tm.fr

Relays
H • PC16 • MTD

... The right solution for the command of Electrical/Power systems !

Catalog

Revised 23-JUNE-2016
www.bernier.tm.fr

Find more on

www.bernier.tm.fr

This catalogue and its content are BERNIER property, all rights reserved
All information contained in this catalogue can be changed without prior notice
Dimensions in mm