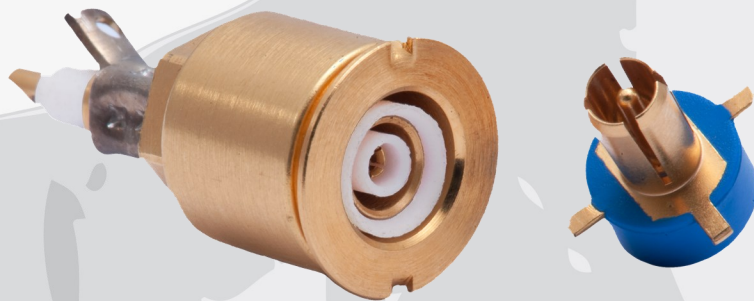




CCF700 Serie

Coaxial connector



... the suitable connector for cockpit equipments !

CCF700

Catalog



◆ Description

The CCF700 are miniature coaxial connectors for civil and military applications, used on avionic, at sea and on land based systems.

The function of this connector is to supply power to the illuminated surfaces of many items of avionic equipments

◆ Climatic and mechanical characteristics

	CCF700
Operating temperature range	-30°C to + 120°C

◆ Electrical characteristics

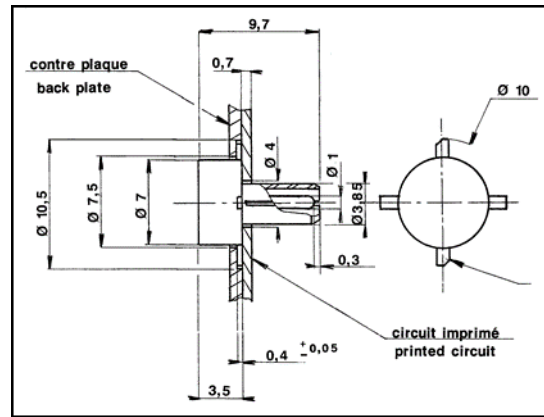
	CCF700
Nominal current	5 A
Rating current	7.5A
Dielectric strength	500VDC
Contact resistance	≤ 8 mOhms
Insulation resistance	>5000 MOhms

◆ Material and plating

	Material	Plating
Connector shell	Brass	Gold
Insulator	PTFE, DAP	-
Contacts	Copper alloy	Gold

◆ CCF700P

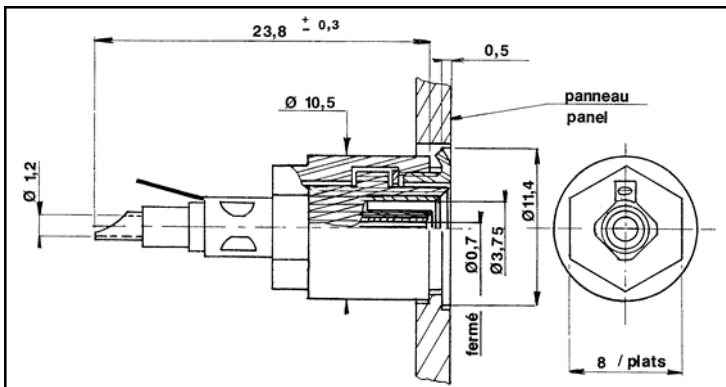
Male coaxial plug 2 contacts for PCB



Corner cut indicates center pins (positive)
Weight : 0.71gr

◆ CCF700S

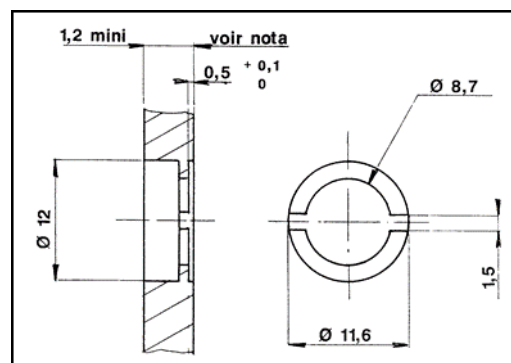
Female coaxial receptacle 2 solder cup contacts



Wire used : Gauge 20
Weight : 5.27gr
Excentric limit of the floating part : Diam. 1 Max

◆ Panel holing

For thickness 2.5, you must make a chamber



T.G +/- 0.1

CMA Serie
Push-Pull / Quick-Releaseable Connector

... For an optimum data transfer in harsh environments !

Catalog

Revised 10 - JUNE 2016
www.bernier.tm.fr

CMASD Serie
Push-Pull Connector

... Toughness and reliable high speed data transfer in small dimensions !

Catalog

Revised 10 - JUNE 2016
www.bernier.tm.fr

CMALD Serie
Push-Pull and Quick-Releaseable Connector

... Toughness and Ergonomics allied with a high contact density configuration !

Catalog

Revised 10 - JUNE 2016
www.bernier.tm.fr

MMC Serie
Compact Quick-Releaseable Connector

... for a robust and ergonomic high-speed data connection !

Catalog

Revised 10 - JUNE 2016
www.bernier.tm.fr

PAM Serie
Bayonet Connector

... the good connection for your tactical equipments !

Catalog

Revised 20 - JUNE 2016
www.bernier.tm.fr

55116 Serie
Bayonet Connector

... The Crypto and Audio communication standard !

Catalog

Revised 20 - JUNE 2016
www.bernier.tm.fr

221 Serie
Quick-Releaseable Connector

... Easy use and communication reliability in operation !

Catalog

Revised 20 - JUNE 2016
www.bernier.tm.fr

POW Serie
Power Connector

Catalog

Revised 10 - JUNE 2016
www.bernier.tm.fr

360L6 Serie
Avionic Connector

... the best connection for On Board communications !

Catalog

Revised 20 - JUNE 2016
www.bernier.tm.fr

B600 Serie
Quick-Releaseable Connector

... Secure connection for light vehicles !

Catalog

Revised 20 - JUNE 2016
www.bernier.tm.fr

JCC Serie
Jack Connector

... For a basic but secured connection on communication equipments !

Catalog

Revised 20 - JUNE 2016
www.bernier.tm.fr

U Serie
Audio Connector

... The Toughest solution for audio applications !

Catalog

Revised 20 - JUNE 2016
www.bernier.tm.fr

CCF700 Serie
Coaxial connector

... the suitable connector for cockpit equipments !

Catalog

Revised 20 - JUNE 2016
www.bernier.tm.fr

MH Serie
Hexagonal Connector

... suitable for command signals !

Catalog

Revised 20 - JUNE 2016
www.bernier.tm.fr

BERNIER Services
Solutions • Operations • Products

... Innovation and Technologies knowledge for your project solution !

Catalog

Revised 10 - JUNE 2016
www.bernier.tm.fr

Relays
H • PC16 • MTD

... The right solution for the command of Electrical/Power systems !

Catalog

Revised 20 - JUNE 2016
www.bernier.tm.fr

Find more on

www.bernier.tm.fr

This catalogue and its content are BERNIER property, all rights reserved
All information contained in this catalogue can be changed without prior notice
Dimensions in mm