



JCC Serie

Jack Connector



... For a basic but secured connection on communication equipments !

JCC

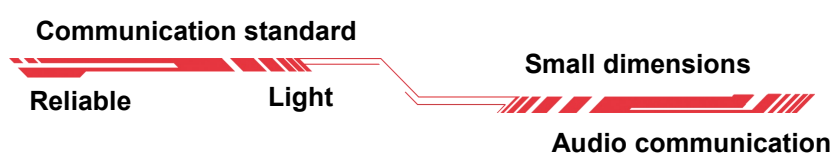
Catalog



◆ Descriptif

The Jack connectors are used all over the world for the audio communication on board of aircraft and also for the communication between ground teams and pilots.

They are equipped with 2, 3 and 4 contacts and comply with the MIL-J-641 and MIL-P-642 norms.



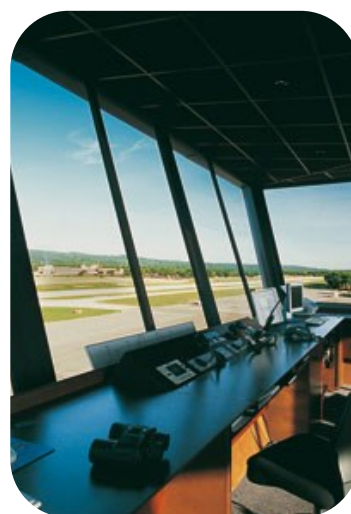
◆ Applications



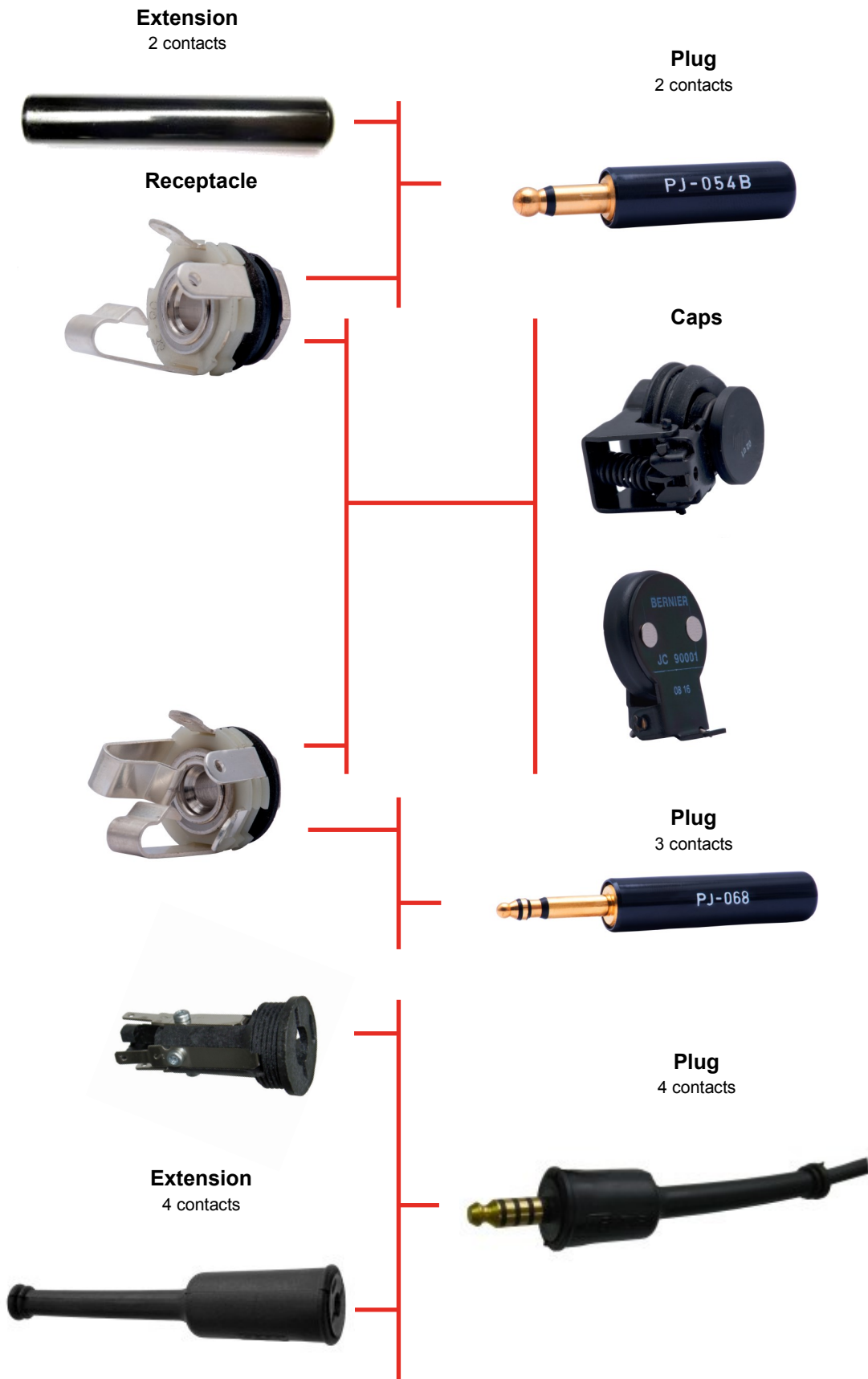
On board equipments



Accessories



Radios



◆ Climatic and mechanical characteristics

	JCC
Unlocking system	Traction
Operating temperature range	-55°C to +125°C
Endurance	5000 Operations
Corrosion resistance	Salt fog : 48 hours
Vibration	From 10 to 50Hz amplitude 1.5 mn

◆ Electrical characteristics

	JCC (02, 03 and 04 contacts)
Working voltage	30 V _{max}
Current rating	1 A _{max}
Dielectric strength	500 V _{eff.} at 50Hz, 1min
Contact type	Bolt hole
Contact resistance	≤ 50 mOhms at 25°C
Isolement	≥1000 MOhms under 500 VDC.

◆ Material and Plating

	Material	Plating
Shell	Thermoplastic	-
Insulator	Leminated with epoxy and thermoplastic glass	-
Contacts	Strips in silver copper alloy	Silver



◆ Weight

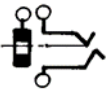




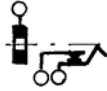
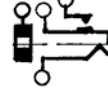
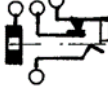
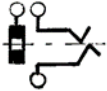
Part number	Weight (grammes ±10%)
Plug PJ-XXXX	18 g
Receptacle JC-XX-XX	13 g
Cap JC 90001	10 g
Cap JC 90002	21 g

◆ Part numbers

Plugs

Part number	Description
PJ-055B	Plug 2 contacts diameter 6,35 Black PJ 55001
PJ-055R	Plug 2 contacts diameter 6,35 Red PJ 55002
PJ-068B	Plug 3 contacts diameter 5.25 Black PJ 68001
PJ-068R	Plug 3 contacts diameter 5.25 Red PJ 68002
PJ-051	Plug 3 contacts diameter 6.35 Black
PJ-054B	Plug 2 contacts diameter 6.35 Black
PJ-054R	Plug 2 contacts diameter 6.35 Red

Receptacles

	Ø 5.25			Ø 6.35					
Scheme									
Part number	JC 35-O	JC 35-REC	JC 35-RC	JC 26-O	JC 26-CC	JC 26-RC	JC 26-CI	JC 26-RI	JC 36-O
Old Part number	JC 35000	JC 35005	JC 35003	JC 26000	JC 26001	JC 26003	JC 26002	JC 26004	JC 36000
For plug	PJ-068	PJ-068	PJ-068	PJ-055	PJ-055	PJ-055	PJ-055	PJ-055	PJ-051

Sets

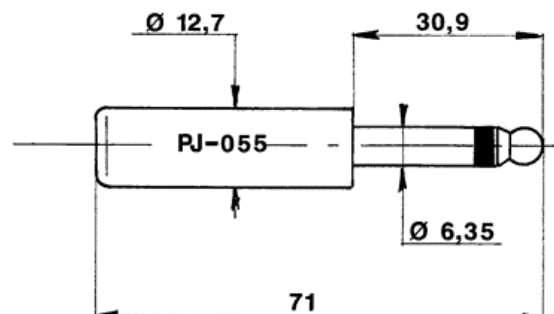
BERNIER Part number	JC26900	JC35900	JC26922	JC 90025
NSA number	NSA 938906-26-0	NSA 938906-35-0	NSA 938906-46-0	No part number
Components	JC 26-O + 2 insulating washers	JC 35-O + 2 insulating washers	JC 26-CI + cap D1982	JC 90020 (D1954) JC 90022 (D1955) PJ-055B JC 26-CI (JC 26002)

◆ Long Plug with 2 contacts



Ex: PJ-055B

Part number	Description
PJ-055B	Plug 2 contacts diameter 6,35 Black
PJ-055R	Plug 2 contacts diameter 6,35 Red

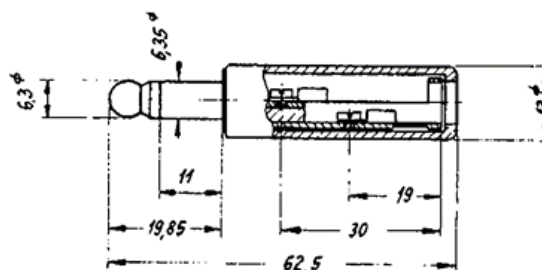


◆ Short plug with 2 contacts



Ex: PJ-054B

Part number	Description
PJ-054B	Plug 2 contacts Diameter 6,35 Black
PJ-054R	Plug 2 contacts diameter 6,35 Red

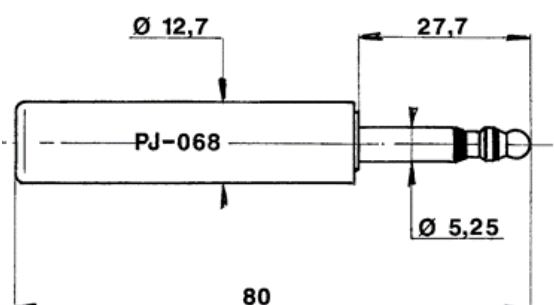


◆ Long plug with 3 contacts



Ex: PJ-068B

Part number	Description
PJ-068B	Plug 3 contacts diameter 5,25 Black
PJ-068R	Plug 3 contacts diameter 5,25 Red

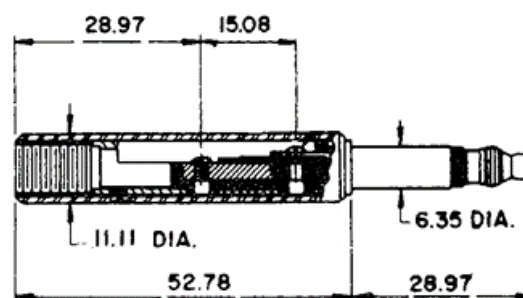


◆ Short plug with 3 contacts



Ex: PJ-051B




Part number	Description
PJ-051B	Plug 3 contacts diameter 6,35 Black
PJ-051R	Plug 3 contacts diameter 6,35 Red

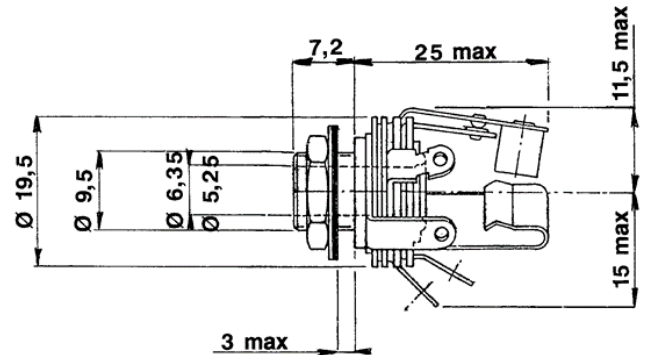


◆ Receptacles for plug 3 contacts (Ø 5.25)



Ex: JC 35-O






Part number	Scheme
JC 35-O	
JC 35-REC	
JC 35-RC	

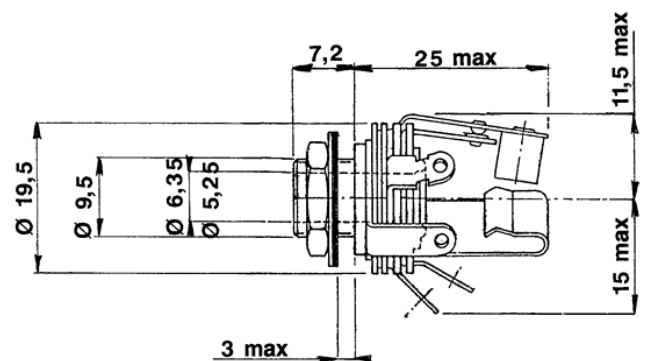


◆ Receptacles for plug 2 contacts (Ø 6.35)



Ex: JC 26-O


Part number	Scheme
JC 26-O	
JC 26-CC	
JC 26-RC	
JC 26-CI	
JC 26-RI	

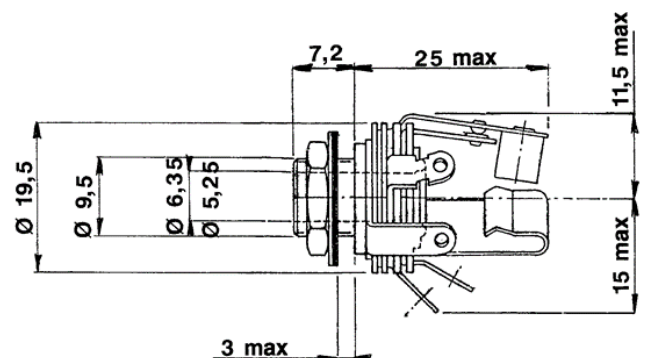


◆ Receptacle for plug 3 contacts (Ø 6.35)



Ex: JC 36-O

Part number	Scheme
JC 36-O	

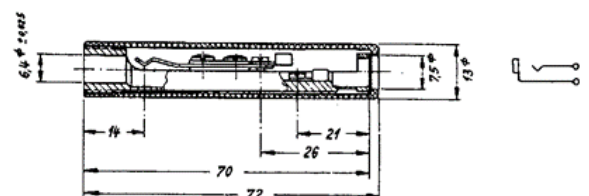


◆ Long Extension with 2 contacts



Ex: JJ-027

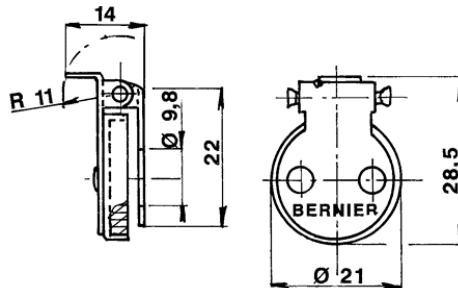
Part number	Description
JJ-027	Extension 2 contacts diameter 6,35 Black



◆ Plastic cap



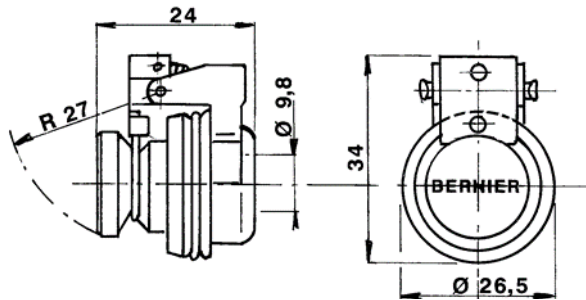
Ex: JC 90001 - D1982



◆ Neoprene Cap



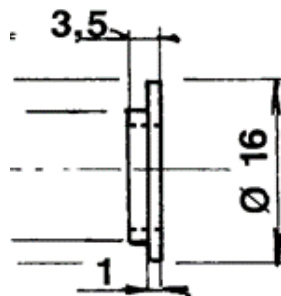
Ex: JC 90002 - F2231



◆ Insulating bush



Ex: JC 90020



◆ Insulating washer



Ex: JC 90022



Part number	Description	Connect with
SP112	Panel receptacle with H nut, 4 contacts, 10H/18575, AM626	SP113
SP 113	Simple plug 4 contacts 'OTAN UK' MIL, FJ-3A, 10H/18575	SP114, SP112 in line/avec capot ,SP112
SP114	Extension 'UK OTAN' 4 contacts, SP112 In line receptacle	SP113



SP113



SP114



SP112

Part number	Description	Connect with
U-174/U	Plug 4 contacts MIL US low profile	U-92A/U, U-94A/U
U-93A/U	Plug 4 contacts MIL US 'NATO'	U-92A/U, U-94A/U
U-92A/U	Extension, in line receptacle 4 contacts MIL US 'NATO'	U-174/U, U-93A/U
U-94A/U	Panel receptacle 4 contacts type MIL 'OTAN US'	U-174/U, U-93A/U



U-93A/U



U-92A/U



TJT-120

JCC

CMA Serie
Push-Pull / Quick-Releaseable Connector

... For an optimum data transfer in harsh environments !

Catalog

Revised 15 - JUNE 2016
www.bernier.tm.fr

CMASD Serie
Push-Pull Connector

... Toughness and reliable high speed data transfer in small dimensions !

Catalog

Revised 15 - JUNE 2016
www.bernier.tm.fr

CMALD Serie
Push-Pull and Quick-Releaseable Connector

... Toughness and Ergonomics allied with a high contact density configuration !

Catalog

Revised 15 - JUNE 2016
www.bernier.tm.fr

MMC Serie
Compact Quick-Releaseable Connector

... for a robust and ergonomic high-speed data connection !

Catalog

Revised 15 - JUNE 2016
www.bernier.tm.fr

PAM Serie
Bayonet Connector

... the good connection for your tactical equipments !

Catalog

Revised 22 - JUNE 2016
www.bernier.tm.fr

55116 Serie
Bayonet Connector

... The Crypto and Audio communication standard !

Catalog

Revised 22 - JUNE 2016
www.bernier.tm.fr

221 Serie
Quick-Releaseable Connector

... Easy use and communication reliability in operation !

Catalog

Revised 22 - JUNE 2016
www.bernier.tm.fr

POW Serie
Power Connector

Catalog

Revised 15 - JUNE 2016
www.bernier.tm.fr

360L6 Serie
Avionic Connector

... the best connection for On Board communications !

Catalog

Revised 22 - JUNE 2016
www.bernier.tm.fr

B600 Serie
Quick-Releaseable Connector

... Secure connection for light vehicles !

Catalog

Revised 22 - JUNE 2016
www.bernier.tm.fr

JCC Serie
Jack Connector

... For a basic but secured connection on communication equipments !

Catalog

Revised 22 - JUNE 2016
www.bernier.tm.fr

U Serie
Audio Connector

... The Toughest solution for audio applications !

Catalog

Revised 22 - JUNE 2016
www.bernier.tm.fr

CCF700 Serie
Coaxial connector

... the suitable connector for cockpit equipments !

Catalog

Revised 22 - JUNE 2016
www.bernier.tm.fr

MH Serie
Hexagonal Connector

... suitable for command signals !

Catalog

Revised 22 - JUNE 2016
www.bernier.tm.fr

BERNIER Services
Solutions • Operations • Products

... Innovation and Technologies knowledge for your project solution !

Catalog

Revised 15 - JUNE 2016
www.bernier.tm.fr

Relays
H • PC16 • MTD

... The right solution for the command of Electrical/Power systems !

Catalog

Revised 22 - JUNE 2016
www.bernier.tm.fr

Find more on

www.bernier.tm.fr

This catalogue and its content are BERNIER property, all rights reserved
All information contained in this catalogue can be changed without prior notice
Dimensions in mm

JCC