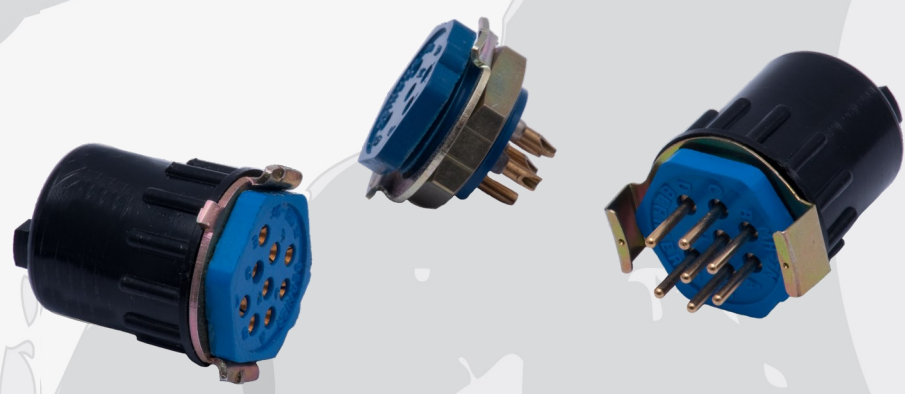




MH Serie

Hexagonal Connector



... suitable for command signals !

MH

Catalog 

◆ Description

MH line is designed to ensure transmission of command signals. Used on many applications, the MH line is composed of connectors with 5, 7 and 9 contacts. The locking system offers a good resistance to shock and vibration effects.

These connectors are conform to MIL-C-8384 norm.



◆ Applications



Railroad command signals

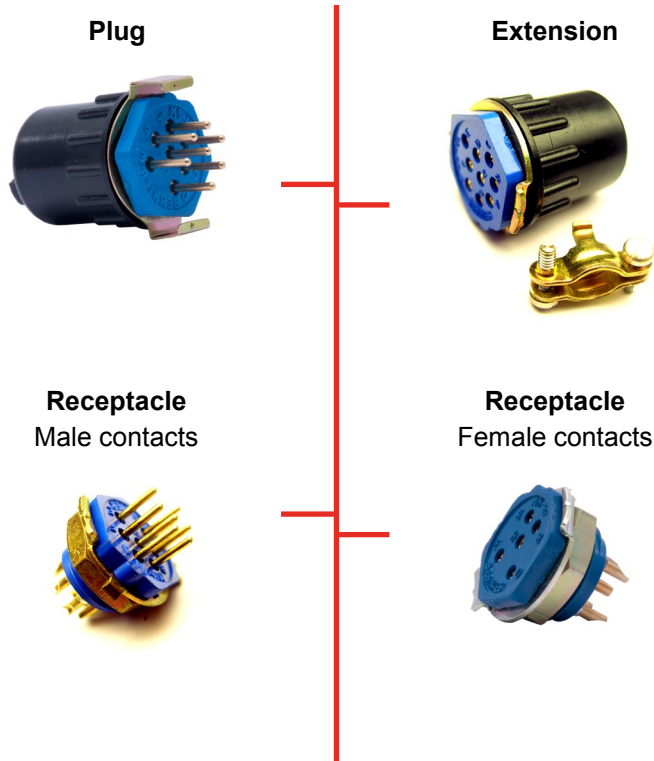


Logistic command signals



Industrial command signals

◆ Synoptic



◆ Connectors

Description	Code	MH	5	F	LR	N
Serie	MH	↑				
Contact number	5, 7, 9		↑			
Connector type : Receptacle Plug Panel through Dummy receptacle Extension	F M T R P			↑		
Locking type : Fixed bolt Mobile bolt	LR LS				↑	
Fastening type (types F, R and T) : Hexagonal nut	N					↑
Backshell type (types M and P) : Straight backshell with cable clamp	C					↑

MH

◆ Climatic and mechanical characteristics

	MH
Unlocking system	2 points with a mobil bolt
Operating temperature range	-55°C to +85°C
Endurance	2 500 Operations

◆ Electrical characteristics

	MH (5,7 and 9 contacts)
Working voltage	220 V _{eff} max
Current rating per contact	2 A _{max}
Insulation resistance	≥ 5000 MOhms
Contact type	Solder cup
Contact resistance	≤ 10 mOhms
Dielectric	1500 V _{eff}

◆ Material and plating

	Material	Plating
Insulator	Thermosetting	-
Contacts	Copper alloy	Gold over nickel

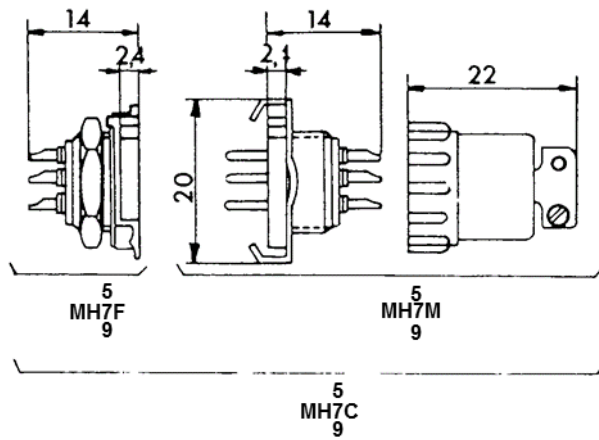
◆ Weight

Reference	Old reference	Weight (grams)
MH9F	MH 9001	6 g
MH9FP	MH 9002	6 g
MH9M	MH 9010	8 g

◆ Standard version



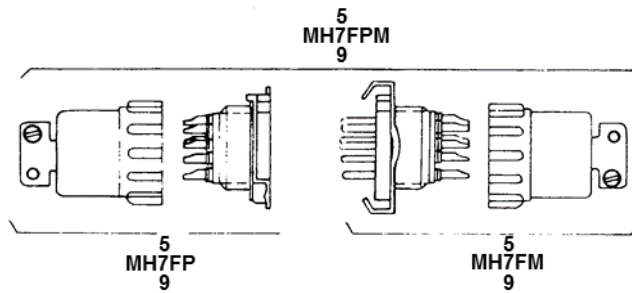
Ex: MH7F and MH7M



◆ Extension



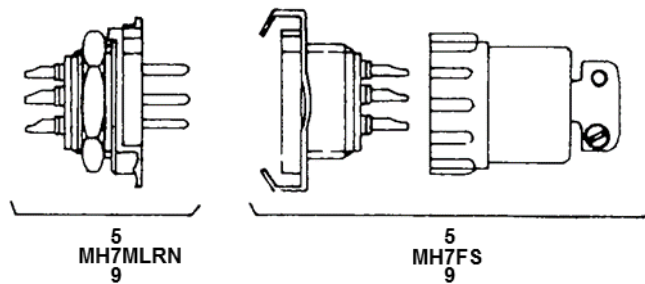
Ex: MH7FP and MH7FM



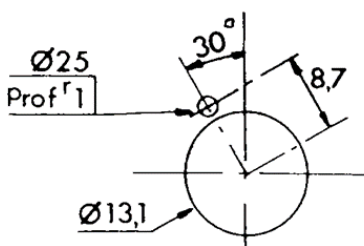
◆ Standard version with reverse contacts



Ex: MH7MLRN and MH7FS



◆ Panel cut



CMA Serie
Push-Pull / Quick-Releaseable Connector

... For an optimum data transfer in harsh environments !

Catalog

Revised 10 - JUNE 2016
www.bernier.tm.fr

CMASD Serie
Push-Pull Connector

... Toughness and reliable high speed data transfer in small dimensions !

Catalog

Revised 10 - JUNE 2016
www.bernier.tm.fr

CMALD Serie
Push-Pull and Quick-Releaseable Connector

... Toughness and Ergonomics allied with a high contact density configuration !

Catalog

Revised 10 - JUNE 2016
www.bernier.tm.fr

MMC Serie
Compact Quick-Releaseable Connector

... for a robust and ergonomic high-speed data connection !

Catalog

Revised 10 - JUNE 2016
www.bernier.tm.fr

PAM Serie
Bayonet Connector

... the good connection for your tactical equipments !

Catalog

Revised 20 - JUNE 2016
www.bernier.tm.fr

55116 Serie
Bayonet Connector

... The Crypto and Audio communication standard !

Catalog

Revised 20 - JUNE 2016
www.bernier.tm.fr

221 Serie
Quick-Releaseable Connector

... Easy use and communication reliability in operation !

Catalog

Revised 20 - JUNE 2016
www.bernier.tm.fr

POW Serie
Power Connector

Catalog

Revised 10 - JUNE 2016
www.bernier.tm.fr

360L6 Serie
Avionic Connector

... the best connection for On Board communications !

Catalog

Revised 20 - JUNE 2016
www.bernier.tm.fr

B600 Serie
Quick-Releaseable Connector

... Secure connection for light vehicles !

Catalog

Revised 20 - JUNE 2016
www.bernier.tm.fr

JCC Serie
Jack Connector

... For a basic but secured connection on communication equipments !

Catalog

Revised 20 - JUNE 2016
www.bernier.tm.fr

U Serie
Audio Connector

... The Toughest solution for audio applications !

Catalog

Revised 20 - JUNE 2016
www.bernier.tm.fr

CCF700 Serie
Coaxial connector

... the suitable connector for cockpit equipments !

Catalog

Revised 10 - JUNE 2016
www.bernier.tm.fr

MH Serie
Hexagonal Connector

... suitable for command signals !

Catalog

Revised 20 - JUNE 2016
www.bernier.tm.fr

BERNIER Services
Solutions • Operations • Products

... Innovation and Technologies knowledge for your project solution !

Catalog

Revised 10 - JUNE 2016
www.bernier.tm.fr

Relays
H • PC16 • MTD

... The right solution for the command of Electrical/Power systems !

Catalog

Revised 20 - JUNE 2016
www.bernier.tm.fr

Find more on

www.bernier.tm.fr

This catalogue and its content are BERNIER property, all rights reserved
All information contained in this catalogue can be changed without prior notice
Dimensions in mm