

# A172 - SFF HPEC

Rugged Compact PC - Intel® Core® i7 Processor



Aitech's A172 Rugged Compact PC (RCP) is a small, low power, high performance, rugged computer, suitable for any application that requires a high performance reliable RCP.

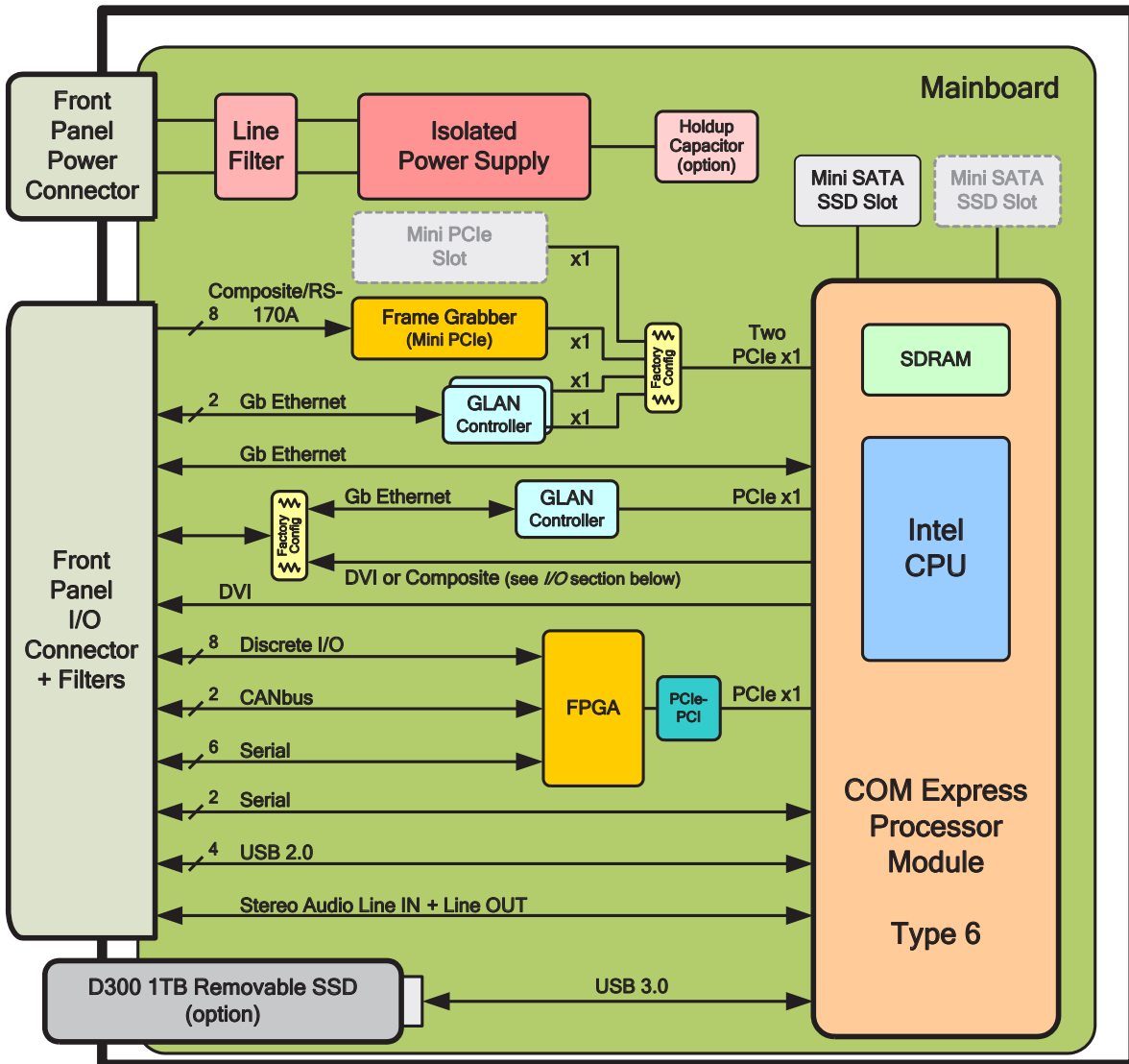
The A172 is designed around a standard COM Express (Type 6) module, which contains the system CPU and SDRAM, and provides a number of standard I/O interfaces.

The COM Express module is hosted on an Aitech main board, which provides additional I/O interfaces, and includes two mini SATA (mSATA) sites and two mini PCIe sites.

The mini SATA sites can accommodate standard SSD modules for system Flash mass storage and the mini PCIe slots can accommodate standard modules to provide additional system functionality.

The usage of standardized modules (COM Express, mini PCIe, and mini SATA) in the A172 design enables Aitech to build customized versions of the system to meet specific customer requirements (contact your Aitech representative for additional information), and also allows Aitech to offer updated system configurations as newer modules become available.

- **Rugged Reduced SWaP PC**
- **Flexible Configuration Options**
  - ▶ CPU
  - ▶ Memory
  - ▶ Mass Storage
  - ▶ OS
- **I/O Interfaces**
  - ▶ Gigabit Ethernet
  - ▶ Serial Ports
  - ▶ USB 2.0
  - ▶ Stereo Audio Input + Output
  - ▶ Discrete I/O
  - ▶ DVI Output
  - ▶ CANbus
  - ▶ Composite Video Input + Output
- **Mini PCIe Slot for I/O Expansion**
- **Wide Input Voltage Range**
- **MIL-STD-704 and MIL-STD-1275 Compliant**
- **D38999 I/O and Power Connectors**
- **Operating System Support**
  - ▶ Windows®
  - ▶ Linux®
  - ▶ VxWorks®
- **Environmentally Sealed (IP65)**
- **Natural Convection Cooled**
- **Compact and Lightweight**
- **50 ms Holdup Time (option)**
- **Removable Mass Storage (option)**



## COM Express Module

Model	CPU	Memory	OS Support <sup>(3)</sup>	TPM	Power
<b>A172B</b>	Intel XEON E3-1505L v6 (7 <sup>th</sup> Gen) <ul style="list-style-type: none"> <li>4 Cores/8 Threads</li> <li>2.2 GHz Base Frequency</li> <li>3.0 GHz Turbo Frequency</li> <li>HD Graphics P630 (Gen 9)</li> <li>PassMark Score: 7887</li> </ul>	DDR4 (with ECC) @ 1600 MT/s Ordering Options: <ul style="list-style-type: none"> <li>16 GB Single Channel</li> <li>32 GB Dual Channel</li> </ul>	Windows 10 64-bit Linux	2.0	<ul style="list-style-type: none"> <li>Minimum: 15W <sup>(1)</sup></li> <li>Typical: 45W <sup>(2)</sup></li> </ul>
<b>A172C</b>	Intel Core i7-7600U (7 <sup>th</sup> Gen) <ul style="list-style-type: none"> <li>2 Cores/4 Threads</li> <li>2.8 GHz Base Frequency</li> <li>3.9 GHz Turbo Frequency</li> <li>HD Graphics 620 (Gen 9)</li> <li>PassMark Score: 5595</li> </ul>	DDR4 (non-ECC) @ 1600 MT/s Ordering Options: <ul style="list-style-type: none"> <li>16 GB Single Channel</li> <li>32 GB Dual Channel</li> </ul>	VxWorks 7.0 Windows 10 64-bit Linux	2.0	<ul style="list-style-type: none"> <li>Minimum: 12W <sup>(1)</sup></li> <li>Typical: 30W <sup>(2)</sup></li> </ul>
<b>A172T</b>	Intel Core i7-1185GRE (11 <sup>th</sup> Gen) <ul style="list-style-type: none"> <li>4 Cores/8 Threads</li> <li>1.2 GHz TDP-down Base Frequency</li> <li>1.8 GHz Base Frequency</li> <li>2.8 GHz TDP-up Base Frequency</li> <li>4.4 GHz Turbo Frequency</li> <li>Iris® Xe Graphics (Gen 11)</li> <li>PassMark Score: 9142</li> </ul>	DDR4 (non-ECC) @ 1600 MT/s Ordering Options: <ul style="list-style-type: none"> <li>32 GB Dual Channel</li> <li>64 GB Dual Channel</li> </ul>	Windows 10 64-bit Linux	2.0	<ul style="list-style-type: none"> <li>Minimum: 15W <sup>(1)</sup></li> <li>Typical: 45W <sup>(2)</sup></li> </ul>

- Notes:
- (1) Windows idle
  - (2) Windows running TAT (Thermal Analyses Tool) to exercise all CPUs to 80% load and Integrated Graphics Processor (IGP) to 70%
  - (3) Other operating systems may be partially supported, and additional driver porting may be available per customer request, depending on system configuration (contact an Aitech representative for more information)

## Memory Resources

<b>RAM</b>	Options determined by selected COM Express module (see the <i>COM Express Module</i> section above)
<b>On-Board SATA SSD</b>	Mini SATA SSD with Quick Erase and Secure Erase feature options (standard on-board SSD options are listed in <i>Ordering Information</i> below, additional options may be available per customer request, contact an Aitech representative for more info)
<b>Removable SSD</b>	Optional Aitech D300 Removable SSD (see <i>Ordering Information &gt; Special Options</i> ) See the D300 datasheet for more information on the removable SSD

## I/O

	I/O Variant <sup>(1)</sup>	
	Variant #1	Variant #3
<b>Gigabit Ethernet (1000Base-T)</b>	4 <sup>(6)</sup>	2 <sup>(6)</sup>
<b>DVI Outputs (Single Link)</b>	1	2
<b>Composite Video Inputs</b> Supports RS-170A (NTSC)/PAL (auto detected) and simultaneous capture of all channels at full frame rates <sup>(5)</sup>	–	8
<b>Composite Video Outputs</b> Supports PAL (RS-170A [NTSC] support may be available via factory configuration per customer request, contact an Aitech representative for more information)	1	–
<b>Serial Ports</b> UART 16550 compatible	8 x RS-232 / 2 x RS-422 + 2 x RS-422/485 <sup>(2)</sup> <sup>(3)</sup>	
<b>Discrete I/O (Single-Ended)</b>	8 x Input/Output (software configurable)	
<b>CANbus</b> <sup>(4)</sup> Independent, isolated CAN 2.0B compatible interfaces, bit rates up to 1 Mb/s, PelICAN operation mode support	2	
<b>USB 2.0</b>	4	
<b>Stereo Audio Line IN</b>	1	
<b>Stereo Audio Line OUT</b>	1	

## Enclosure Options

<b>Standard</b>	Default enclosure type, used when Hold-Up capacitor bank and/or removable SSD are not included
<b>Extended</b>	Slightly larger enclosure, used when Hold-Up capacitor bank and/or removable SSD are included  Includes more internal room to accommodate Hold-Up capacitor bank and removable SSD, and also provides a door which allows access for installation/removal of the removable SSD

## Mechanical

	Standard Enclosure	Extended Enclosure
<b>Dimensions</b>	260 x 180 x 46 mm [10.24 x 7.09 x 1.81"]	286 x 180 x 61 mm [11.26 x 7.09 x 2.41"]
<b>Weight</b>	<2.25 kg [5lb]	<2.90 kg [6.4 lb]

## Power

- Wide input voltage range
  - 10 – 32 V<sub>DC</sub> steady state operation
  - 12 V<sub>DC</sub> turn-on threshold
- Input reverse polarity protection (up to 32 V<sub>DC</sub>)
- EMI/RFI input filter
- On-board supplies isolated from external supply
- MIL-STD-704 and MIL-STD-1275 compliant
- 50 ms Holdup Time (optional – see *Ordering Information > Special Options*)

## Environmental

<b>Operating Temp.</b>	-40 to +70 °C <sup>(1)</sup>	<b>Rain</b>	MIL-STD-810F, Method 506.4, Procedure III
<b>Non-Operating Temp.</b>	-55 to +100 °C	<b>Dust</b>	MIL-STD-810F, Method 510.4, Procedure I & II
<b>Vibration</b>	V2 per VITA 47	<b>Salt Fog</b>	MIL-STD-810F, Method 509.4
<b>Operating Shock</b>	OS1 per VITA 47	<b>Bench Handling</b>	MIL-STD-810F, Method 516.5, Procedure VI
<b>Altitude</b>	-1,500 to +60,000 ft. <sup>(2)</sup>	<b>Ingress Protection</b>	IP65 <sup>(3)</sup>
<b>Relative Humidity</b>	0 – 100%	<b>EMI/RFI</b>	MIL-STD-461
<b>Fungus</b>	Fungus Resistant		

## Ordering Information

<b>CPU</b> B = Xeon E3-1505L (Gen 7) C = Core i7-7600U (Gen 7) T = Core i7-1185GRE (Gen 11)	<b>On-Board SATA SSD<sup>(4)</sup></b> 7 = 512 GB MLC (Q S D)	<b>Operating System<sup>(1)</sup></b> 0 = None 1 = VxWorks 2 = Windows 3 = Linux 9 = Custom	<b>Special Options</b> 0 = None 1 = 50 ms Hold-up <sup>(3)</sup> 2 = 1 TB MLC Removable Mass Storage <sup>(3)</sup> 3 = 50 ms hold-up + 1 TB MLC Removable Mass Storage <sup>(3)</sup>
--	--	--	---

<b>2</b> <b>A172</b>	-								
<b>Ruggedization</b> 2 = Rugged		<b>SDRAM<sup>(1)</sup></b> C = 16 GB D = 32 GB E = 64 GB	<b>I/O Variant<sup>(2)</sup></b> 1 = Variant #1 3 = Variant #3 9 = Custom	<b>RoHS</b> L = Leaded R = RoHS6 compliant (MOQ=50)	<b>Configuration No.</b> To be assigned by Aitech				

**Example:** 2A172T-D710L0-00

Notes: (1) Refer to the *COM Express Module* table for available options for each module (3) Note differences in dimensions and weight when selecting these options  
(2) Refer to the *I/O* table for I/O combinations per Variant (4) Q = Quick Erase; S = Secure Erase; D = Destroy - using ATA Commands.

## Optional Accessories

<b>MCS172-1-00 *</b>	Set of Front Panel Mating Connectors for I/O Variant 1
<b>MCS172-3-00 *</b>	Set of Front Panel Mating Connectors for I/O Variant 3
<b>PSA-90W</b>	90W Power Supply
<b>2D300-01M0-00</b>	1 TB Removable Mass Storage
<b>TCA172-SK *</b>	A172 Starter Kit comprising: <ul style="list-style-type: none"> <li>J1 Power Cable</li> <li>J2 I/O Cable (1 x Serial, 1 x DVI, 2 x USB, 1 x GLAN, Audio Output)</li> </ul>
<b>A172 Custom Cable</b>	Ask your Aitech sales representative

\* Add "-CF" to part number for cadmium free (e.g.MCS172-1-00-CF)

## Specialist Electronic Components and Systems Aerospace and Defence Capabilities

Over 40 years of expertise supporting defence manufacturers and military primes with high-reliability and MIL-STD technology solutions for naval, land and avionic applications.

As a leading distributor to over 100 specialist technology manufacturers, APC's team of experts advise and supports the design-in and supply of a comprehensive range of electronic solutions. From board-level, MIL-STD components to rugged computing systems – our teams help to drive forward the defence technology of tomorrow.

0330 313 3220 | [europe@apctech.com](mailto:europe@apctech.com)



APC is an AS9120 accredited supplier, has JOSCAR accreditation and is a member of ADS Group. Our commitment to driving the highest standards underlines our commitment to supporting the aerospace and defence industry.